

Volume of a Prism

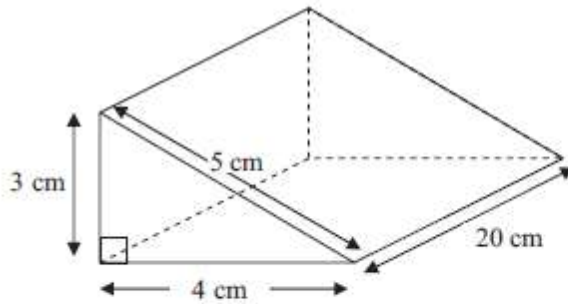


Diagram **NOT**
accurately drawn

Work out the volume of the triangular prism.

..... cm^3

(Total 2 marks)

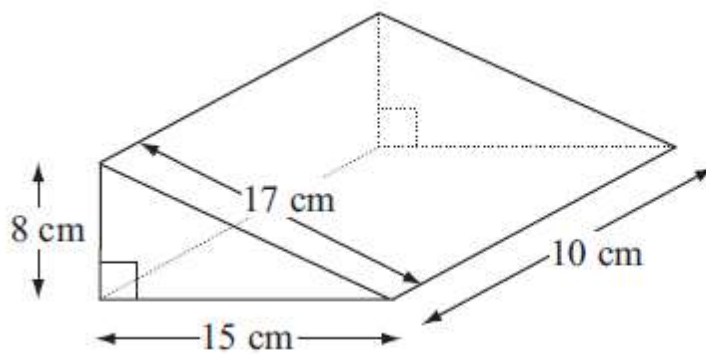


Diagram **NOT**
accurately drawn

The diagram shows a prism.

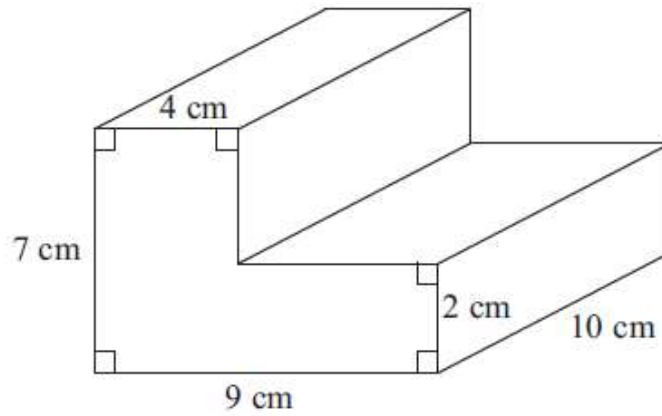


Diagram NOT accurately drawn

Work out the volume of the prism.

Here is a solid prism.

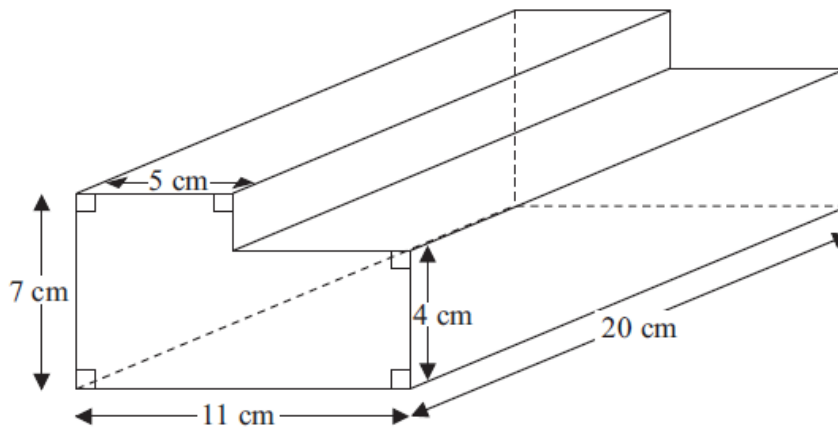


Diagram NOT accurately drawn

Work out the volume of the prism.